

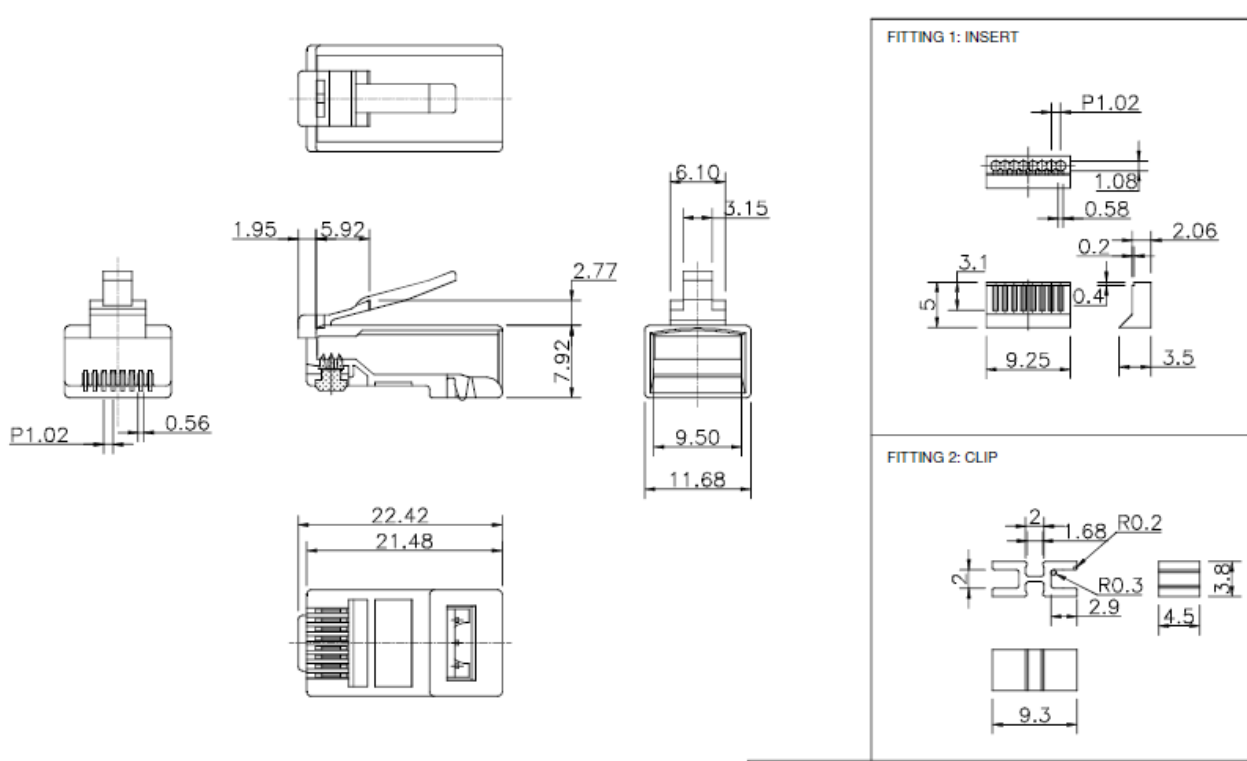
RJ45 Cat6 Modular Plugs

- Supports Cat6 performance
- Accepts 24 and 26AWG solid or stranded cable
- 3 piece design with load bar to maintain the integrity of twisted pairs

Specifications: RJ45 Cat6 Modular Plugs

Connector Specifications:

Category Speed Supported:	Cat 6
Cable AWG Supported:	24 or 26
Contacts:	50 micron gold-plated
Dimensions:	22.42 x 11.68 x 7.92mm
Rated:	94V-0



Part Number	Description	Weight (lbs)
00887	RJ45 Cat6 Modular Plug—10 pack	
00888	RJ45 Cat6 Modular Plug—25 pack	
00889	RJ45 Cat6 Modular Plug—50 pack	
00890	RJ45 Cat6 Modular Plug—100 pack	

